

▼ Shown: PUJ-1200B



- Lightweight and compact design, 22 to 41 lbs
- Large easy-carry handle for maximum portability
- Two-speed operation reduces cycle times for improved productivity
- 115 VAC 50/60-cycle universal motor will operate on voltages as low as 60 volts
- 24 VDC remote motor control, 10-ft length for operator safety
- Starts under full load
- High strength molded shroud, with integral handle, protects motor from contamination and damage
- Designed for intermittent duty cycle

▼ An Economy pump PUJ-1200B is used with an RC-2514 to reposition a stamping die to simplify maintenance.



## Heavy on Performance, Light on Weight



### Gauges

Minimize the risk of overloading and ensure long, dependable service from your equipment. For use with the Economy pump the following gauges are suggested:

For Pump Model Number	Gauge Model Number	Gauge Adaptor Model No..
PUD-1100B, 1101B	G-2535L	GA-3
PUJ-1200B, 1201B	G-2535L	-
PUJ-1400B, 1401B	G-2535L	GA-3

For a full range of gauges, please refer to the System Components section.

Page: 118



### Hoses

Enerpac offers a complete line of high quality hydraulic hoses. To ensure the integrity of your system, specify only genuine Enerpac hydraulic hoses.

Page: 112



### Speed Chart

To determine how the 0.5 hp Economy pump will operate your cylinder, see the Pump-Cylinder Speed Chart in the "Yellow Pages."

Page: 109

Used with Cylinder	Usable Oil Capacity (gal)	Model Number*	Pressure Rating (psi)	
			1 <sup>st</sup> stage	2 <sup>nd</sup> stage
Single-Acting	.50	PUD-1100B	200	10,000
	1.00	PUD-1101B	200	10,000
	.50	PUJ-1200B	200	10,000
	1.00	PUJ-1201B	200	10,000
Double-Acting	.50	PUJ-1400B	200	10,000
	1.00	PUJ-1401B	200	10,000

\* For 230 volt applications replace "B" suffix with "E".

\*\* Electric dump valve for auto-retract of cylinders.

# Economy Electric Pumps



## About the Economy Pump

The Economy pump is best suited to power small to medium size cylinders or hydraulic tools. Its lightweight and compact design makes it ideal for applications which require easy transport of the pump.

The Universal motor works well on long extension cords or generator-driven electrical power supplies.

For further application assistance refer to the "Yellow Pages."



## PUD Series

- Provides advance/auto-retract of single-acting cylinders
- Ideal for punching applications
- For applications not requiring load holding
- 10-ft pendant controls motor and valve operation

## PUJ Series

- Available with 3- and 4-way valves for single- or double-acting cylinders
- 10-ft pendant controls the motor operation
- Manual valves provide advance/hold/retract tool control

Page: 99

## PU Series

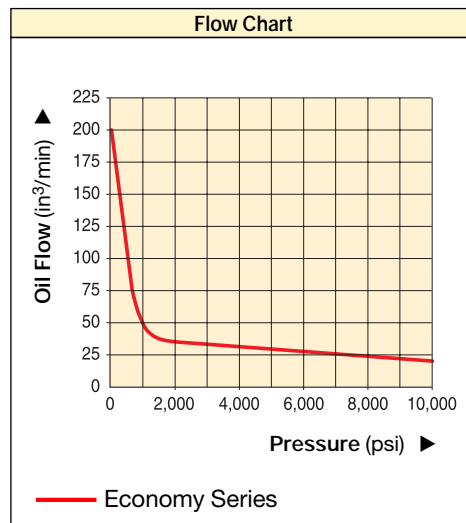
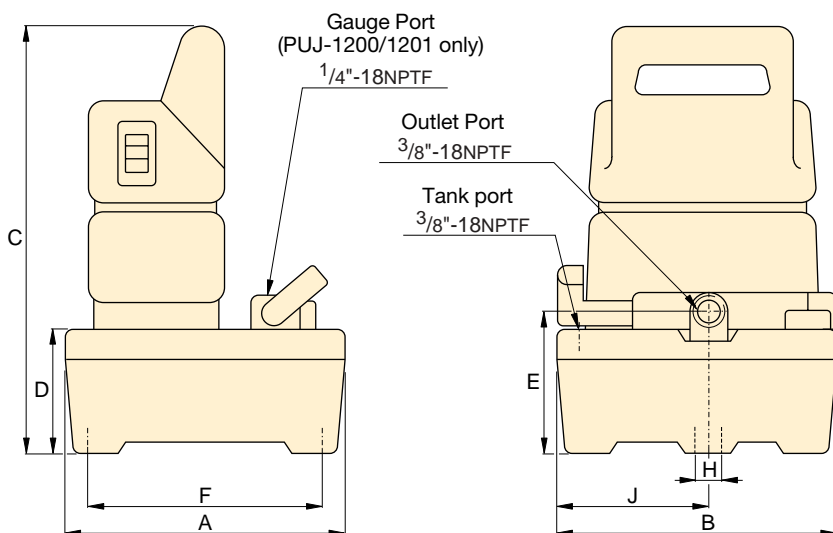


Reservoir Capacity:  
**0.5-1.0 gal**

Flow at Rated Pressure:  
**20 in<sup>3</sup>/min**

Motor Size:  
**.5 hp**

Maximum Operating Pressure:  
**10,000 psi**



Output Flow Rate		Valve Type	Current Draw	Motor Voltage	Sound Level	Dimensions (in)								Weight	Model Number*
(in <sup>3</sup> /min)						A	B	C	D	E	F	H	J		
1 <sup>st</sup> stage	2 <sup>nd</sup> stage		(Amps)	(VAC)	(dBA)									(lbs)	
200	20	Dump**	9.5	115	85	9.62	9.62	14.25	4.00	4.72	8.00	.40	5.25	26	PUD-1100B
200	20		9.5	115	85	14.50	12.18	14.72	4.15	5.12	12.74	.40	5.62	38	PUD-1101B
200	20	3-way, 2-pos.	9.5	115	85	9.62	9.62	14.25	4.00	4.72	8.00	.40	5.25	22	PUJ-1200B
200	20		9.5	115	85	14.50	12.18	14.72	4.15	5.12	12.74	.40	5.62	34	PUJ-1201B
200	20	4-way, 3-pos.	9.5	115	85	9.62	9.62	14.25	4.00	4.72	8.00	.40	5.25	29	PUJ-1400B
200	20		9.5	115	85	14.50	12.18	14.72	4.15	5.12	12.74	.40	5.62	41	PUJ-1401B